

## 1. General Specification

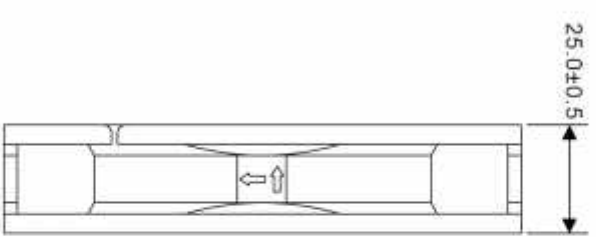
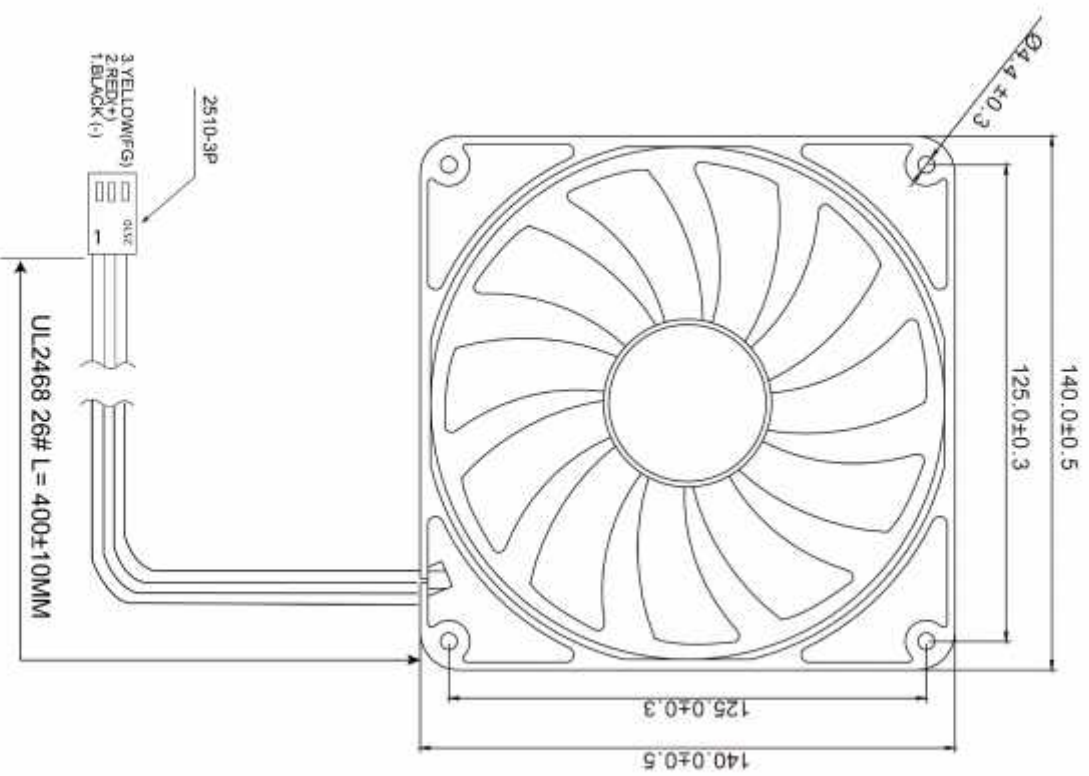
|    |                   |   |
|----|-------------------|---|
| 1  | Model No.         | Mirage 140x25S  |
| 2  | Dimension of fan  | 140*140*25MM  |
| 3  | Voltage           | 12V (10.8-13.2V)  |
| 4  | Starting voltage  | 7.0V (POWER ON/OFF)   |
| 5  | Power consumption | 2.04W   |
| 6  | Rated current     | 0.17A(Safety)   |
| 7  | Speed             | 1,200±10%R.P.M.<br>At 25 °C, After 3~5 minutes rotating<br>(Fan alone). |
| 8  | Max air flow      | 58CFM   |
| 9  | Air Pressure      | 1.5mm-H <sub>2</sub> O  |
| 10 | Noise             | 28 dBA  |

## 2. Main Parts Specification

|   |                     |  |
|---|---------------------|--|
| 1 | Fan Blade & Frame   | PBT BLACK  |
| 2 | Bearing             | Sleeve Bearing   |
| 3 | P.C.B               | One layer PC Board                                       |
| 4 | Enameled Wire       | 2UEW   |
| 5 | Silicon Steel Strip | H23  |
| 6 | Lead Wire           | UL2468 26AWG<br>L=400±10MM<br>(-)BLACK (+)RED (FG)YELLOW |
| 7 | Connector           | 2510-3P  |

## 3. Electrical and Environmental Specification

|   |                       |  |
|---|-----------------------|--|
| 1 | Expected Life         | 30,000 hrs,25                              |
| 2 | Rotating Direction    | Anti-Clockwise                             |
| 3 | No. of pole           | 4Poles                                     |
| 4 | Operating Temp .Range | Temperature:-10 ~+70<br>Humidity:35%~85%RH |
| 5 | Store Temperature     | Temperature:-40 ~+70<br>Humidity:35%~85%RH |



**AIR FLOW**

Unit: (mm)

|                |                       |
|----------------|-----------------------|
| Voltage        | 12 V                  |
| Safety Current | 0.17 A                |
| Bearing        | Sleeve bearing        |
| Speed          | 1,200±10%RPM          |
| Connector      | 2510-3P               |
| Wire 1         | BLACK(-) 26# UL2468   |
| Wire 2         | RED(+) 26# UL2468     |
| Wire 3         | YELLOW(FG) 26# UL2468 |